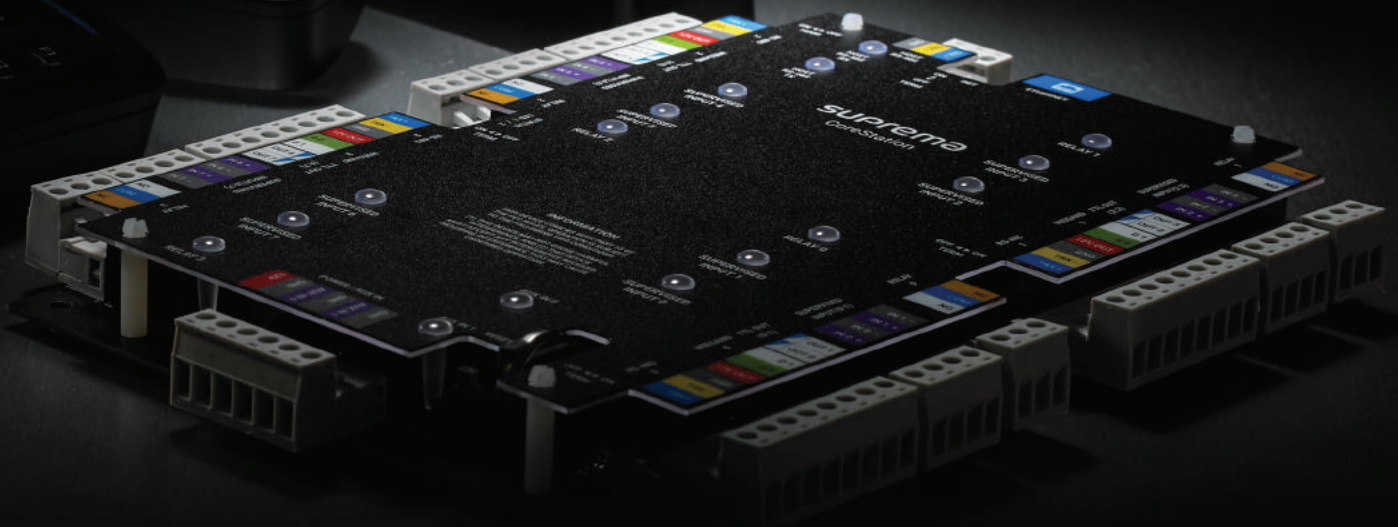


# CoreStation

Intelligent Biometric Controller



Suprema CoreStation is an intelligent door controller which provides the advantages of a biometric-enabled security over a centralized access control systems. Designed for mid to enterprise-level systems, the CoreStation handles up to 500,000 users with an incredible fingerprint matching speed of upto 400,000 match/sec. With the provisions of high-performance, biometric readiness, Ethernet communication, CoreStation is capable of offering the full features of the BioStar 2 platform. The device provides centralized biometric template management and also interfaces with complete set of reader technologies including RS-485(OSDP) and Wiegand. With its versatility, CoreStation is a perfect access control solution for both new installations as well as a replacement of existing systems.

# CoreStation

## Intelligent Biometric Controller

### Features



- Centralized Biometric Access Control**
- Centralized storage of biometric and access group data
  - Complete controller functionalities with fingerprint matching
  - Multi-port interface for fingerprint/RF readers
    - Supports locks, sensors, RTE, and alarm devices



- Enterprise-level Capacity**
- Max 500,000 users (1 million fingerprint templates)
    - 500,000 RF cards / 5,000,000 event logs
  - High-speed fingerprint matching
    - Max 400,000 match/sec (genuine matching)



- Improved Security**
- No Ethernet connection to the door reader
  - No data storage at the door reader
  - Secured communication between server and CoreStation (TLS 1.2)



- System Flexibility and Scalability**
- Controls up to 132 access points with extension modules (DM-20)
  - Elevator Control (OM-120)
  - Supports OSDP (Open Supervised Device Protocol)



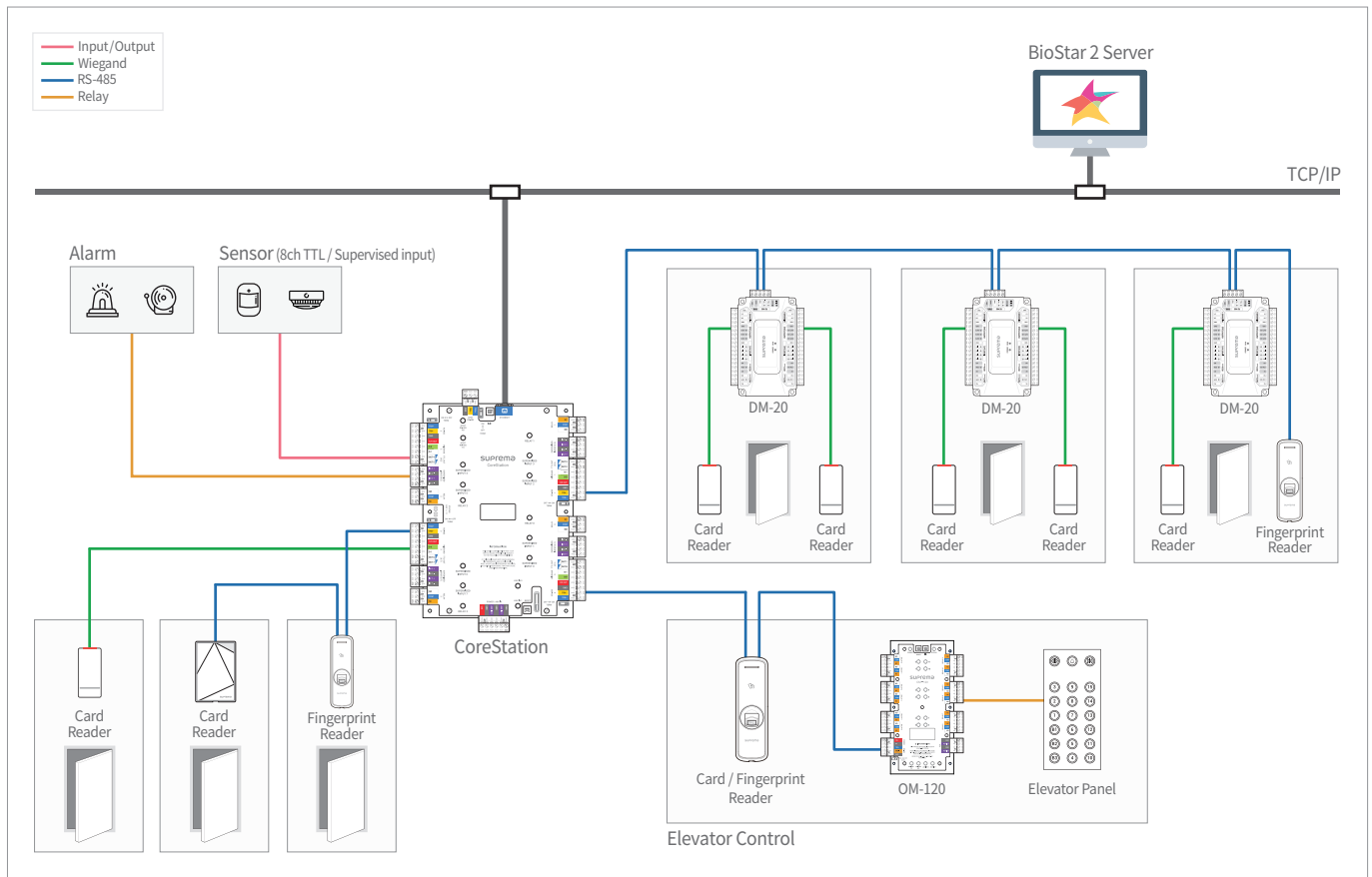
- Fully Compatible with BioStar 2**
- Easy operation and configuration
  - Comprehensive access control and time & attendance functionalities

### Specifications

CPU	1.4 GHz Octa Core
Memory	8GB Flash + 1GB RAM
Max. User	500,000 (1:1), 100,000(1:N)
Max. Template	1,000,000(1:1), 200,000(1:N)*
Max. Logs	5,000,000(text)
Serial Comm. Protocol	OSDP V2
Ethernet	10/100Mbps, auto MDI/MDI-X
RS-485	5ch
Wiegand	4ch input
Relay	4 relays
TTL Input	8ch (Supervised input selectable)
TTL Output	8ch
AUX Input	2ch (AC Power Fail, Tamper)
Operating Temperature	0°C ~ 50°C
Dimensions (WxHxD,mm)	150 x 214 x 21 mm
Power	DC 12V
Power Output (Reader)	4ch (DC 12V)
Certification	CE, FCC, KC, RoHS, WEEE, REACH

\* Two templates per finger

### System Configurations



**suprema**  
BIOMETRICS & SECURITY

Suprema Inc.

17F Parkview Tower, 248, Jeongjail-ro, Bundang-gu, Seongnam-si, Gyeonggi-do, 13554, Rep. of KOREA

Tel: +82 31 783 4502 | Fax: +82 31 783 4503 | Inquiry: sales\_sys@supremainc.com | www.supremainc.com

©2018 Suprema Inc. Suprema and identifying product names and numbers herein are registered trade marks of Suprema, Inc. All non-Suprema brands and product names are trademarks or registered trademarks of their respective companies. Product appearance, build status and/or specifications are subject to change without notice.  
[AHL-CS40-180103-05-EN]