

Genesis 2 Wireless PIR Detector

For event driven CCTV



2a Bellevue Road, Friern Barnet, London N11 3ER
T. 020 8368 7887 F. 020 8368 3952
info@luminite.co.uk

Product Overview

Genesis 2 is a stylish new design utilizing High Performance Special Black Optical Mirrors and Quad Element Pyro Sensors for highly responsive, accurate detection with excellent false alarm immunity.

The view angle is covert and cannot be ascertained by looking at the product. Additionally the product is less prone to unauthorised adjustment as there are no external movable parts.

The enclosure is a pleasing silver colour with a white window making it suitable for modern design buildings whilst disguising its true purpose. Weather rating is IP66 and has two options for cable entry.

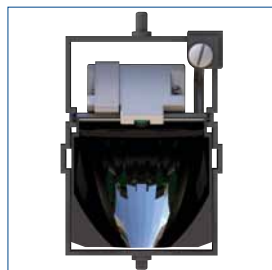
Wireless transmission provides the versatility to place the detector in positions that would otherwise not be feasible due to wiring issues.

Battery life is around two years which is achieved by a special regulator that maintains optimum performance even though the batteries are running down. The product may also be powered from an external 1.2 volt DC power supply if preferred.

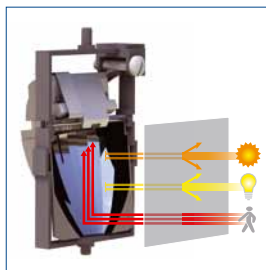
There are two detection range types to choose from when ordering which give different coverage as shown in the Detection Patterns below. Distance can be adjusted from longer to shorter as required.



Internal adjustment allows a full left to right adjustment of the mirror position with $\pm 55^\circ$ and also downward tilt of 15° . Full RF shielding over sensitive circuitry.

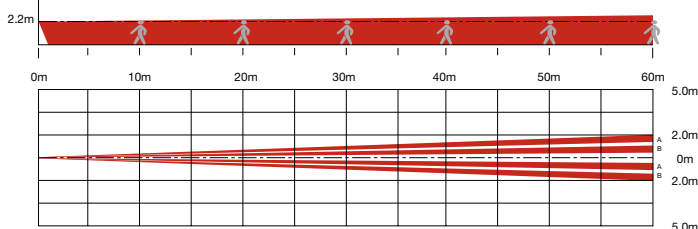


Adaptive focal length zoom mirror optics provide constant short to long range coverage of an area ensuring that the target 'person' remains the same size regardless of distance.

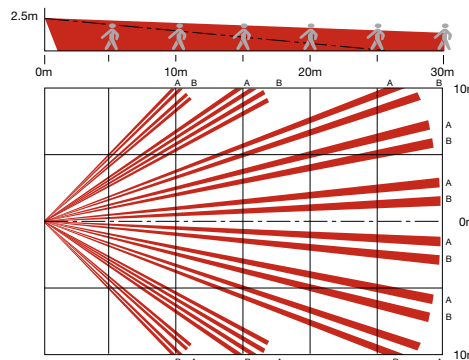


The special black mirror has the most efficient absorption of white light and ensures common sources of false alarms such as sun light or car headlights are rejected.

Available Detection Patterns



LG2WP6004 - 60m Long Narrow Range
Provides coverage of 60 metres out by 4 metres across. This is ideal for perimeter coverage.



LG2WP3020 - 30m Wide Range
Provides coverage of 30 metres out by 20 metres across.



For Use With Genesis 2



LGMT434
Masthead Receiver



LGMRU4x4
Masthead Receiver with Relays



LGIP MT434
IP Masthead Receiver



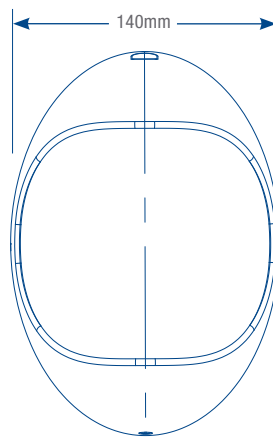
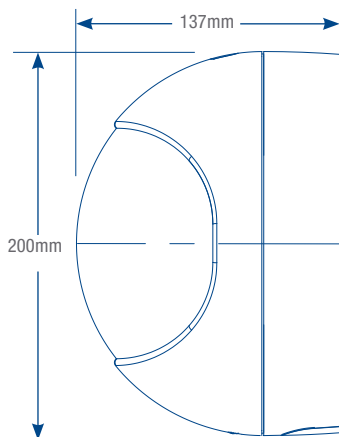
LGRU16 & LGRU16ELR
Relay Units 16 Alarms &
16 Tamper



LGDM16
Plug & Play interface to
DM's DS2 DVR

For more information see separate datasheets

Dimensions



Specifications

| | |
|-----------------------|--|
| Supply | 2 x 1.5 volt alkaline C cells (supplied) or 12V DC from supply |
| Battery life | Up to 2 years |
| Transmitter power | 10mw |
| Transmitter frequency | Standard as 434.525Mhz. Alternatives available. |
| Transmission range | Up to 1km line of sight. Use repeaters for extra distance. |
| Aerial | Integral (External option available). |
| Site codes | 32 |
| Unit codes | 64 |
| Tampers | Rear/front/shock/anti-mask |
| Sensor type | Quad in line |
| Mirror optics | Adaptive focal length |
| White light filtering | Special black mirror coating |
| Area coverage options | 30 x 20m Wide range & 60 x 4m Long Narrow range |
| Adjustment | Left to right +- 55° Tilt 15° |
| Temperature range | -10 to + 70°C |
| Weather rating | IP66 |
| Enclosure | Durable ABS UV stabilized. Colour silver grey. |
| Cable entrances | 20mm conduit or through two IP67 rear glands |



All trademarks are used courtesy of registered owners. Genesis is a registered trademark of Luminite Electronics Ltd. The manufacturer reserves the right to change specifications without notice.

