

HCB-7000

QHD (4MP) Analog Camera



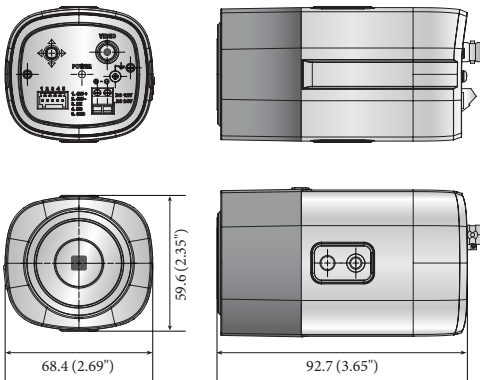
* Lens not Included

Key Features

- QHD (2560 x 1440, 30fps) resolution
- 0.16 Lux@F1.2 (Color), 0.009 Lux@F1.2 (B/W)
- Day & Night (ICR), DWDR, Motion detection
- Transmission distance Max. 500m
- Easy installation (Plug & play), Dual power

Dimensions

Unit : mm (inch)



Accessories (Optional)



SHB-4300H/4300H1/4300H2

SHB-4200/4200H

STH-200

STB-4150V

HCB-7000N/P

| VIDEO | |
|-------------------|---|
| Imaging Device | 1/3" 4M CMOS |
| Total Pixels | 2,720(H) x 1,536(V) |
| Effective Pixels | 2,688(H) x 1,520(V) |
| Scanning System | Progressive Scan |
| Min. Illumination | Color : 0.16 Lux (F1.2) B/W : 0.009 Lux (F1.2) |
| S / N Ratio | 52dB (AGC off, Weight on) |
| Video Output | BNC (AHD), Additional CVBS for installation |
| Resolution | 2560 x 1440 |
| Max. Framerate | 30fps@4M 25fps@4M |

| LENS TYPE | |
|---------------|-----------------------|
| Focus Control | Manual |
| Lens Type | Manual / DC auto Iris |
| Mount Type | C / CS |

| OPERATIONAL | |
|-----------------------------|---|
| On Screen Display | Multi-language Support (14) English, Spanish, French, Portuguese, German, Italian, Russian, Polish, Czech, Romanian, Serbian, Swedish, Danish, Turkish |
| Day & Night | Auto (ICR) / External / Color / B/W |
| Backlight Compensation | Off / User BLC / HLC |
| Wide Dynamic Range | D-WDR (Off / On) |
| Digital Noise Reduction | 2D DNR |
| Motion detection | Off / On (4 zones) |
| Privacy Masking | Off / On (2 zones rectangle) |
| Gain Control | Off / Low / Middle / High / Very High |
| White Balance | ATW / Outdoor / Indoor / Manual / AWC (1,800K ~ 10,500K) |
| Electronic Shutter Speed | 1/30sec ~ 1/12,000sec 1/25sec ~ 1/12,000sec |
| Reverse | Off / H-Rev / V-Rev |
| Alarm | (MD) Output 1 |
| Remote Control Interface | Coaxial |
| Protocol | AHD : ACP (AHD Coax Protocol), CVBS : Pelco-C (Coaxitron) RS-485 : Samsung T, Pelco D/P |
| Video Transmission Distance | 500m (5C2V Coaxial cable) |

| ENVIRONMENTAL | |
|----------------------------------|---|
| Operating Temperature / Humidity | -10°C ~ +55°C (+14°F ~ +131°F) / Less than 90% RH |

| ELECTRICAL | |
|-------------------|----------------------------------|
| Input Voltage | Dual (24V AC ±10% & 12V DC ±10%) |
| Power Consumption | MAX. 3.6W |

| MECHANICAL | |
|--------------------|--|
| Color / Material | Black / Aluminum, Ivory / Plastic |
| Dimensions (WxHxD) | 68.4 x 59.6 x 92.7mm (2.69" x 2.35" x 3.65") |
| Weight | 186g (0.41 lb) |

* The latest product information / specification can be found at hanwha-security.com
* Design and specifications are subject to change without notice.