

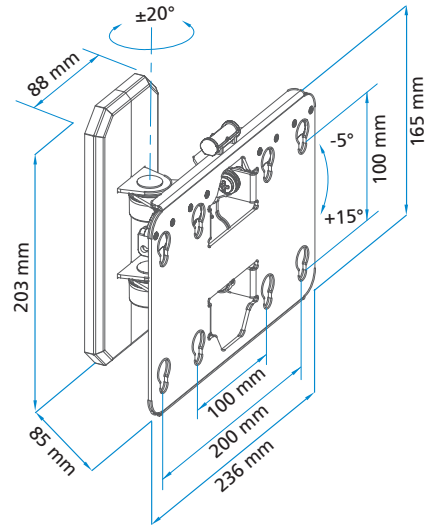
# PS010-21



12" - 26" 30-66 cm

35 kg 77 lbs

85 mm 3,34"



Mount Pattern - Montageschema - Schéma de montage

**100x100, 200x100**

