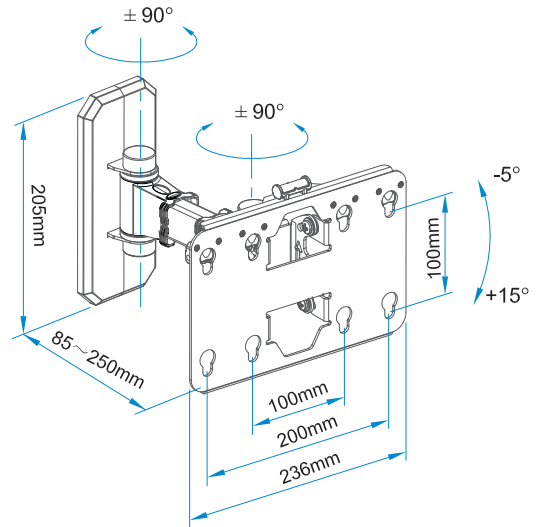
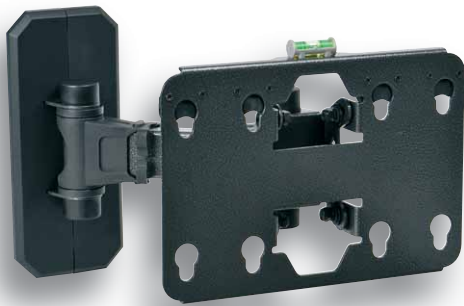


PS020-21



 **12" - 26"** 30-66 cm

 **35 kg** 77 lbs

 **85-250 mm** 3.35"-10"

Mount Pattern - Montageschema - Schéma de montage

100x100, 200x100

