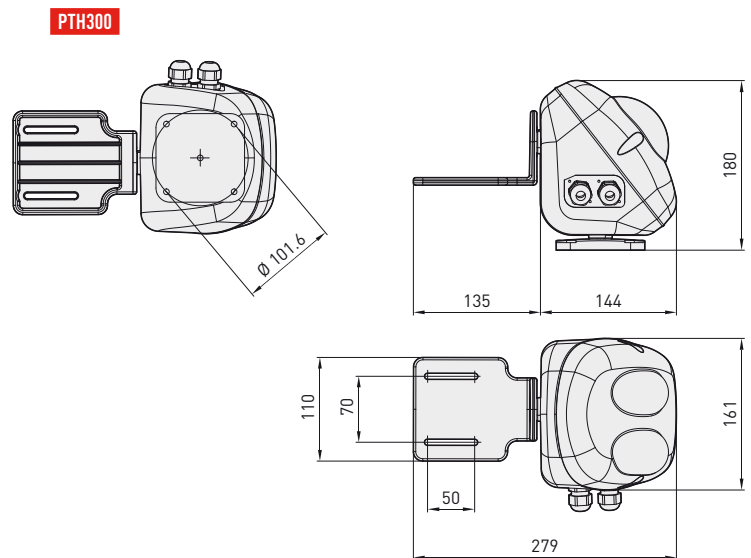
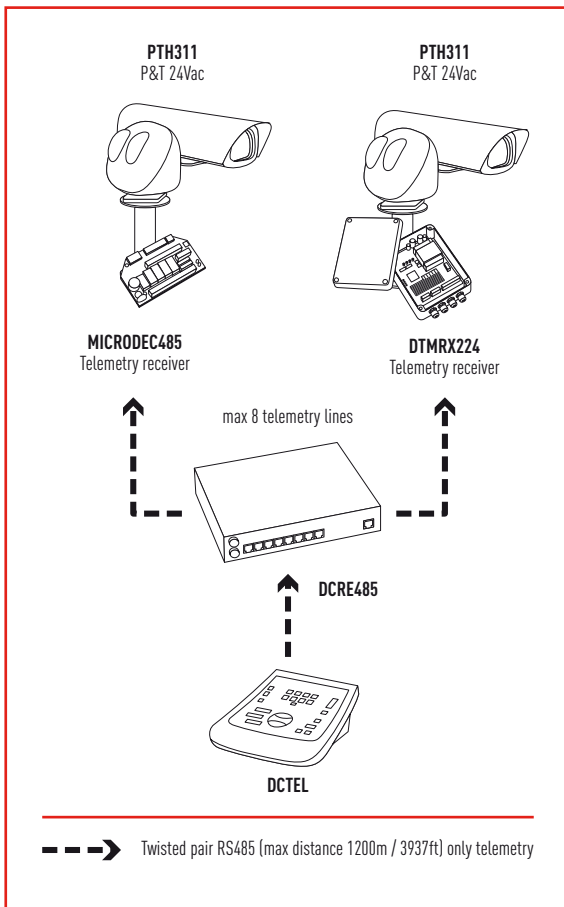




- Indoor / Outdoor installations
- Aluminium painted with epoxy powder
- 12kg load rating
- Autopan function with delayed inversion
- Preset optional
- Weatherproof standard IP66

The PTH300 Pan & Tilt motor is suitable for medium duty outdoor installations with loads up to 12kg balanced. It is constructed from die cast aluminium construction protected by epoxy polyester painting RAL9002. It allows a maximum horizontal speed of 6°/s, a vertical speed of 3°/s and an horizontal rotation of 330°, vertical 360°. The Autopan function permits an automatic continual use of the horizontal rotation. A preset version is also available, equipped with potentiometers, which allows the preset by means of our telemetry systems.

Wide range of controllers are available, ranging from CBZ to the most sophisticated microprocessor controlled telemetry receivers.



The values are in millimeters.

TECHNICAL DATA

PTH300				
Model	Power supply	Autopan	Preset	Max consumption
PTH310	230Vac	•		14W
PTH311	24Vac	•		14W
PTH310P	230Vac	•	•	14W
PTH311P	24Vac	•	•	14W

GENERAL

Constructed from corrosion-proof aluminium
 Epoxypolyester powder painting, RAL9002 colour
 Stainless steel screws
 Mounting position normal / reverse
 Supplied with side bracket for camera housing, screws, accessories for mounting and instruction manual

MECHANICAL

Dimensions: 144x161x180mm (5.6x6.3x7in)
 Maximum load: 12kg (26lb) (balanced)
 0-330° horizontal plane movement
 6°/s fixed horizontal speed
 Pan Torque: 6Nm
 Internally adjustable horizontal limit switches
 0-360° vertical plane movement
 3°/s fixed vertical speed
 Tilt Torque: 6Nm
 Backlash: Pan 0.17°, Tilt 0.07°
 Internally adjustable vertical limit switches
 1 PG11 cable gland and 1 blanking cap for PTH300 models
 2 PG11 cable glands for PTH300P models

ELECTRICAL

Power supply 24/230Vac
 Horizontal motor consumption 7W max
 Vertical motor consumption 7W max
 Standard Autopan
 Preset potentiometer linear 5Kohm multitrans (10 turns)
 (only for PTH310P / PTH311P)

RELATED PRODUCTS

PTAC	Wall bracket for PTH300 P&T
PTDC	Ceiling bracket for PTH P&T series
PTPC	Top pole bracket for PTH P&T series
WFWBTA	Column bracket for PTH P&T series
CBZ220	Unit for direct control of one PTH310
CBZ24	Unit for direct control of one PTH311
MICRODEC485	Telemetry receiver 8 functions for PTH311
DTMRX2	Telemetry receiver 12 functions for PTH310
DTMRX224	Telemetry receiver 12 functions for series PTH311
DTRX3	Telemetry receiver 17 functions for series PTH300 + preset
DTRX324	Telemetry receiver 17 functions for PTH311 + preset
Housings:	HEA, HEB, HEK, HOV, HEP, VERSO, VERSO COMPACT

ENVIRONMENT

Indoor / Outdoor
 Operating Temperature: -20°C / +50°C (-4°F / 122°F)
 Resistant to the salty fog until 1000 hours (according to ISO9227)

COMPLIANCE TO

CE according to EN 61000-6-3, EN 50130-4, EN 60065
 IP66 according to EN 60529

SPARE PARTS LIST

OPTH3MAN	Maintenance kit
DOTPTH300	Installation kit for P&T PTH300



Unit Weight:
 PTH300 3.7kg / 8.2lb

Package Weight:
 PTH300 4.1kg / 9.0lb

Package Dimension (WxHxL):
 PTH300 17.5x27x23cm / 6.9x10.6x9in

Master Carton:
 PTH300 6 units