

QNO-6082R

2MP Network IR Bullet Camera

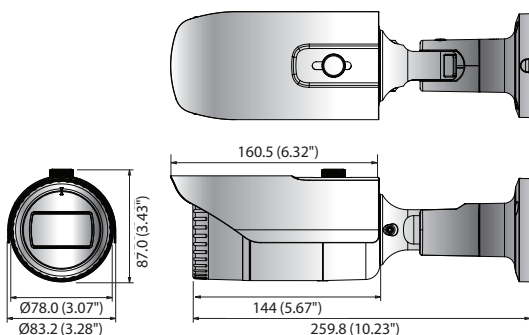


Key Features

- Max. 2megapixel (1920 x 1080) resolution
- 0.095Lux (Color), 0Lux (B/W, IR LED on)
- 3.2 ~ 10mm (3.1x) motorized varifocal lens
- Max. 30fps@2M all resolutions (H.265/H.264)
- H.265, H.264, MJPEG codec supported, Multiple streaming
- Motion detection, Tampering, Defocus detection
- Hallway view (90°/270°), LDC support
- Micro SD/SDHC/SDXC memory slot (Max. 128GB)
- IR viewable length 30m
- IP66, IK10, PoE/12VDC

Dimensions

Unit : mm (inch)



Accessories (Optional)



SBO-100B1



SBP-302PM

QNO-6082R

VIDEO	
Imaging Device	1/2.8" 2MP CMOS
Effective Pixels	1920(H) x 1080(V)
Min. Illumination	Color : 0.095Lux (F1.6, 1/30sec) BW : 0Lux (IR LED on)
Video Out	CVBS : 1.0Vp-p / 75Ω composite, 720 x 480(N), 720 x 576(P) for installation
LENS	
Focal Length (Zoom Ratio)	3.2~10mm(3.1x) motorized varifocal
Max. Aperture Ratio	F1.6(Wide)~F2.9(Tele)
Angular Field of View	H : 109.0°(Wide)~33.2°(Tele) V : 57.4°(Wide)~18.7°(Tele) D : 132.0°(Wide)~38.0°(Tele)
Focus Control	Simple focus
OPERATIONAL	
IR Viewable Length	30m (98.42ft)
Camera Title	Displayed up to 85 characters
Day & Night	Auto (ICR)
Backlight Compensation	BLC, WDR, SDR
Wide Dynamic Range	120dB
Digital Noise Reduction	SSNR
Motion Detection	4ea, polygonal zones
Privacy Masking	6ea, rectangular zones
Gain Control	Low / Middle / High
White Balance	ATW / AWC / Manual / Indoor / Outdoor
LDC	Support
Electronic Shutter Speed	Minimum / Maximum / Anti flicker (1/5~1/12,000sec)
Video Rotation	Flip, Mirror, Hallway view (90°/270°)
Analytics	Defocus detection, Directional detection, Motion detection, Enter/Exit, Tampering, Virtual line
Alarm I/O	Input 1ea / Output 1ea
Alarm Triggers	Analytics, Network disconnect, Alarm input
Alarm events	File upload via FTP and e-mail Notification via e-mail SD/SDHC/SDXC or NAS recording at event triggers Alarm output
Audio In	Selectable (mic in/line in) Supply voltage : 2.5VDC(4mA), Input impedance : 2K Ohm
NETWORK	
Ethernet	RJ-45 (10/100BASE-T)
Video Compression	H.265/H.264: Main/High, MJPEG
Resolution	1920 x 1080, 1280 x 960, 1280 x 720, 800 x 600, 800 x 448, 720 x 576, 720 x 480, 640 x 480, 640 x 360
Max. Framerate	H.265/H.264 : Max. 30fps/25fps (60Hz/50Hz) MJPEG : Max. 15fps/12fps (60Hz/50Hz)
Smart Codec	WiseStream II
Video Quality Adjustment	H.264/H.265 : Target bitrate level control MJPEG : Quality Level control
Bitrate Control	H.264/H.265 : CBR or VBR MJPEG : VBR
Streaming	Unicast (6 users) / Multicast Multiple streaming (Up to 3 profiles)
Audio Compression	G.711 u-law /G.726 Selectable G.726(ADPCM) 8KHz, G.711 8KHz G.726 : 16Kbps, 24Kbps, 32Kbps, 40Kbps

QNO-6082R

Protocol	IPv4, IPv6, TCP/IP, UDP/IP, RTP(UDP), RTP(TCP), RTCP, RTSP, NTP, HTTP, HTTPS, SSL/TLS, DHCP, FTP, SMTP, ICMP, IGMP, SNMPv1/v2c/v3(MIB-2), ARP, DNS, DDNS, QoS, UPnP, Bonjour, LLDP
Security	HTTPS (SSL) login authentication, Digest login authentication, IP address filtering, User access log, 802.1X authentication (EAP-TLS, EAP-LEAP)
Edge Storage	Micro SD/SDHC/SDXC 1slot 128GB
Application Programming Interface	ONVIF Profile S/G/T SUNAPI (HTTP API) Wisenet open platform
Webpage Language	English, Korean, Chinese, French, Italian, Spanish, German, Japanese, Russian, Swedish, Portuguese, Czech, Polish, Turkish, Dutch, Hungarian, Greek
Web Viewer	Supported OS : Windows 7, 8.1, 10, Mac OS X 10.12, 10.13, 10.14 Recommended Browser : Google Chrome Supported Browser : MS Explore11, MS Edge, Mozilla Firefox (Window 64bit only), Apple Safari (Mac OS X only)
Memory	512MB RAM, 256MB Flash
ENVIRONMENTAL	
Operating Temperature / Humidity	-30°C ~ +55°C (-22°F ~ +131°F) / Less than 90% RH * Start up should be done at above -20°C
Storage Temperature / Humidity	-30°C ~ +60°C (-22°F ~ +140°F) / Less than 90% RH
Certification	IP66, IK10
ELECTRICAL	
Input Voltage	PoE(IEEE802.3af, Class3), 12VDC
Power Consumption	PoE : Max 7.4W, typical 5.4W 12VDC : Max 6.5W, typical 4.8W
MECHANICAL	
Color / Material	Dark grey / Aluminum
Product dimensions / weight	Ø78.0 x 259.8mm (Ø3.07 x 10.23"), 900g (1.984 lb)

* The latest product information / specification can be found at hanwha-security.com

* Design and specifications are subject to change without notice.

* Wisenet is the proprietary brand of **Hanwha Techwin**.