

REDWALL Laser Scan Detector  
**RLS-3060L**



The REDSCAN RLS-3060 is an innovative laser scan detector. It can detect a moving object's size, speed, and distance from the detector and process that information with a unique algorithm, which results in hi-reliability detection of people with minimal false alarms.

When vertical detection area is selected, it creates a maximum 60m (200ft.) detection area that functions like an invisible wall. When horizontal detection area is selected, it creates a detection area with a radius of maximum 30m (100ft.) and an arc of 190°.

The RLS-3060L is a low cost, high performance advanced intrusion device with four adjustable detection zones and linked outputs for PTZ camera control. It brings detection solutions for: fence line, building protection, rooftop, and narrow boundary zone with simplified controls for easy set up.

**FEATURES**

- 30m radius for 190 degrees range
- Vertical and horizontal mounting
- Unique detection algorithm
- Form C master alarm output
- Automatic area setting function
- Environmental disqualification circuit
- Anti-rotation function
- Anti-masking function
- 4 independently adjustable detection areas and 4 linked outputs for PTZ camera control (on Analog connection and IP connection)
- Fog cancellation algorithm (Patent listed)
- Trouble output
- Tamper output
- Analog (Dry contact) & IP connection
- Environmental resistance function
- Non detection area adjustment
- Scene selection (Outdoor and Indoor)

**OPTIONS**

- RLS-AT Redscan adjustment tool kit (Including REDSCAN MANAGER Setup software and LAC-1 Laser area checker)
- RLS-PB Pole mount bracket
- RLS-SB Adjustable angle mounting bracket
- AWT-3 Audible walk tester

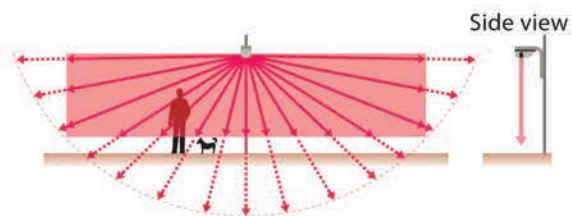
**SPECIFICATIONS**

|  |   |  |
|--|---|--|
| Model                                  | RLS-3060L                                 |  |
| Detection method                       | Infrared Laser Scan                       |  |
| Laser protection class                 | Class 1                                   |  |
| Coverage                               | Vertical area                             | Max. 60 m (Approx. 200 ft.) at 10% reflectivity            |
|  | Horizontal area                           | Radius:30m (Approx. 100 ft.), Arc:190° at 10% reflectivity |
| Detection resolution                   | 0.25°                                     |  |
| Communication port                     | Ethernet ,RJ-45 ,10BASE-T/100BASE-TX      |  |
| Protocol                               | UDP, TCP/IP *Redwall Event Code           |  |
| Power input                            | 24 VDC 24 VAC                             |  |
| Current draw                           | 400mA max. (24VDC) 600mA max. (24VAC)     |  |
| Mounting height                        | Vertical area                             | 15m (50ft.) max.   |
|  | Horizontal area                           | 0.7m (28in.) (recommended)                                 |
| Target object selector                 | S / M / L                                 |  |
| Sensitivity selector                   | H / M / L                                 |  |
| Camera control output                  | N.O. 28 VDC, 0.2 A x 4 outputs            |  |
| Master alarm output                    | Form C, 28 VDC, 0.2 A max.                |  |
| Trouble output                         | Form C, 28 VDC, 0.2 A max.                |  |
| Tamper output                          | N.C. 28 VDC, 0.1 A max.                   |  |
| Environmental disqualification circuit | Form C, 28 VDC, 0.2 A max.                |  |
| Alarm period                           | Approx. 2 sec., Off delay timer           |  |
| Operating temperature                  | -20 to 60 °C (-4 to 140 °F)               |  |
| IP rating                              | IP66                                      |  |
| Dimensions (H x W x D)                 | 334 x 144 x 155 mm (13.2 x 5.7 x 6.1 in.) |  |
| Weight                                 | 2.4kg (85 oz.)                            |  |

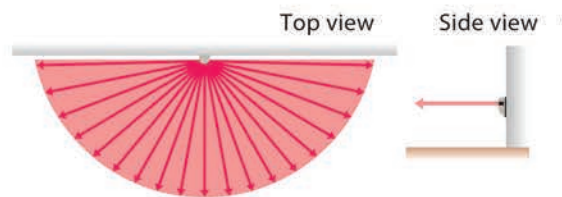
\* Specifications and design are subject to change without prior notice.

**DETECTION AREAS**

■ Image of vertical detection area



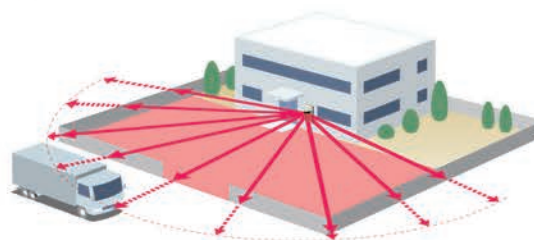
■ Image of horizontal detection area



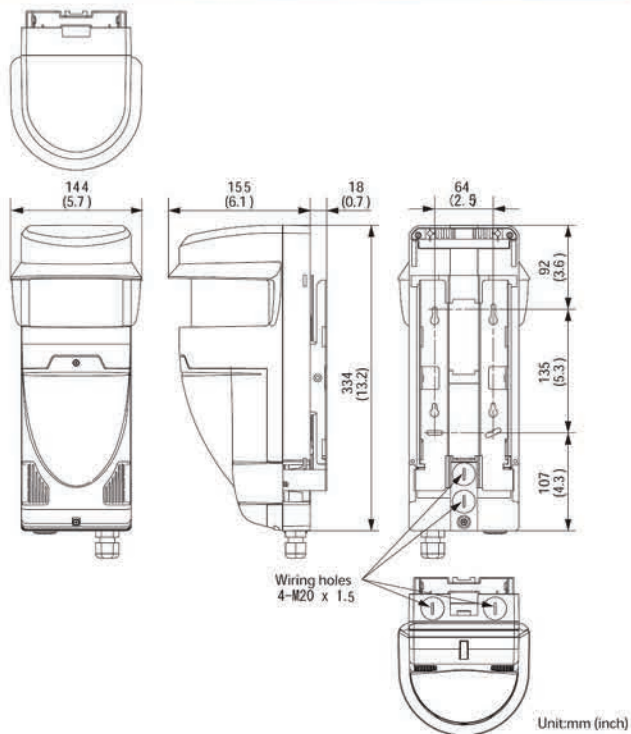
■ Vertical detection area example



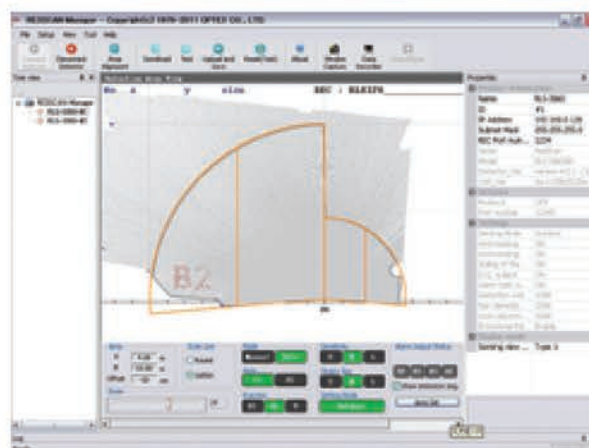
■ Horizontal detection area example



**DIMENSIONS**



**REDSAN MANAGER (Optional software, but needed to set-up)**



OPTEX CO., LTD.  
(JAPAN)  
(ISO 9001 Certified)  
(ISO 14001 Certified)  
5-8-12 Ogoto  
Otsu, Shiga, 520-0101  
Japan  
Tel: +81-77-579-8030  
Fax: +81-77-579-7190  
URL: <http://www.optex.co.jp/e>

OPTEX INCORPORATED  
(USA)  
13661 Benson Ave.  
Bldg. C, Chino CA 91710  
U.S.A.  
Tel: +1-909-993-5770  
Fax: +1-909-628-5560  
URL: <http://www.optexamerica.com>

OPTEX (EUROPE) LTD.  
(UK)  
(ISO 9001 Certified)  
Clivemont Road, Maidenhead,  
Berkshire, SL6 7BU  
UK  
Tel: +44-1628-631000  
Fax: +44-1628-636311  
URL: <http://www.optexeuropa.com>

OPTEX SECURITY SAS  
(FRANCE)  
475 Rue Monique et Mario Piani  
69480 Ambérieux d'Azergues  
France  
Tel: +33 437 55 50 50  
Fax: +33 437 55 50 59  
URL: <http://www.optex-security.com>

OPTEX SECURITY Sp.z o.o.  
(POLAND)  
ul. Bitwy Warszawskiej 1920 r.  
78, 02-366 Warszawa,  
Poland  
Tel: +48-22-598-06-60  
Fax: +48-22-598-06-61