



Redvision

RV DOME SERIES

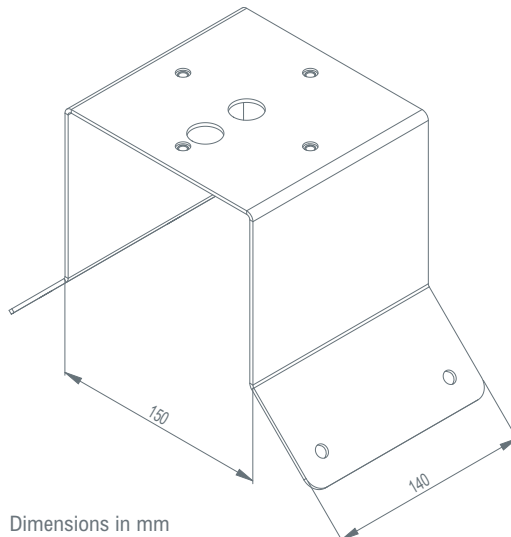


RV-CNR

The Redvision external corner bracket provides elegant mounting for the RV Dome Series range. To facilitate mounting a dome to the corner of a building the RV-Wall bracket is required in conjunction with the RV-CNR bracket.

Specification

- Powder coated fabricated steel bracket
- Complete with fixings to accommodate wall bracket
- 8.5 mm diameter wall fixing clearance holes
- Cable managed through bracket
- Weighs 3.0 kilos



Dimensions in mm

Redvision CCTV Ltd, 17 Highview, High Street, Bordon, Hampshire, GU35 0AX, UK

