

T6Z5710AMSP-CS

6X 5.7~34.2 mm F1.0
for 1/3" format cameras
CS-Mount

with Preset & Remote Controls

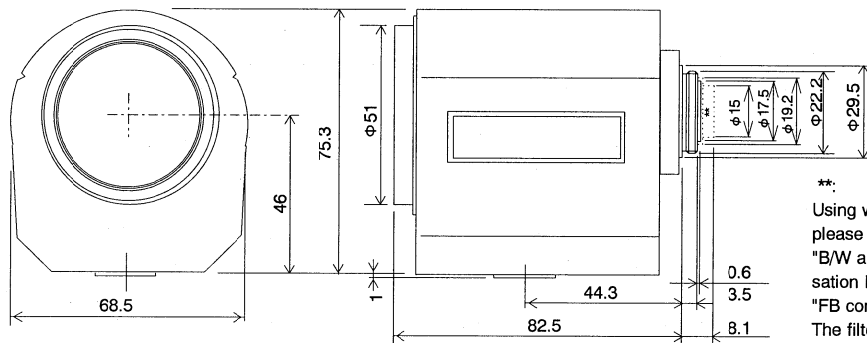
Model No.	T6Z5710AMSP-CS		Effective	Front	φ 41.0 mm
Focal Length	5.7~34.2 mm		Lens Aperture	Rear	φ 10.2 mm
Max. Aperture Ratio	1:1.0		Back Focal Length	8.5 mm	
Max. Image Format	4.8X3.6 mm (φ 6 mm)		Flange Back Length	12.5 mm	
Operation	Iris	Auto Iris, F1.0~360 (by galvano control)	Mount	CS-Mount	
	Focus	Motorized Preset, 1.2m~Inf.	Filter Size	M49 P=0.75 mm	
	Zoom	MotorizedPreset, 5.7~34.2mm	Tripod Screw	1/4"-20UNC	
Object Dimension	5.7 mm	101.6 × 75.2 cm	Dimensions	W68.5 x H76.3 x 82.5 mm	
	at M.O.D.	34.2 mm	17.0 × 13.0 cm	Weight	490 g
Angle of View	D	56.5° ~ 10.0°			
	H	45.9° ~ 8.1°			
	V	34.8° ~ 6.2°			
Control		Iris	Focus	Zoom	
	Supply Voltage	DC 8.5~16 V	DC 8 V	DC 8 V	
	Current	40 mA or less	25 mA or less	25 mA or less	
	Transit Time	Approx. 2 sec.	Approx. 3.5 sec.	Approx. 4 sec.	
Preset Potentiometer		-	5 KΩVR	5 KΩVR	
Light Weighting Method	Adjustable between Average - Peak (to be set at Average at factory)				
Remote Control	Level Remote				
Input Signal	Video Signal (V or VS)				
Iris Accuracy	± 15% at Video Signal Level				
Sensitivity Adjustment	0.5~1.0Vp-p (Video Signal)				
Input Impedance	High Impedance				
Operating Temperature	-10° C ~ +50° C				

1/3

CS

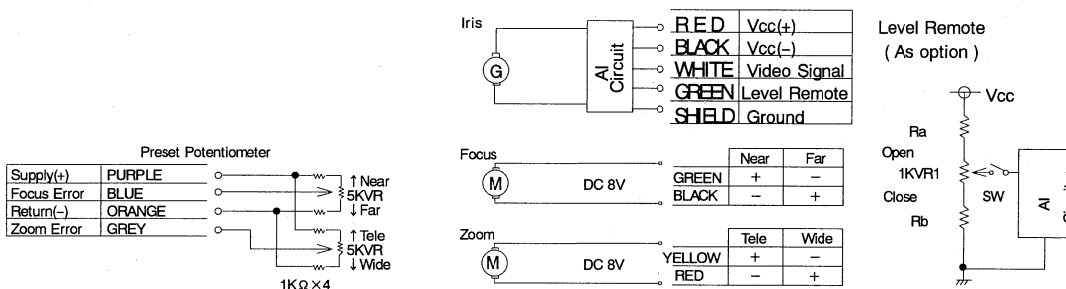
M.O.D. : Minimum Object Distance

Dimensions



ZA

Wiring Diagram



Remarks: Connect together with Black (Focus) and Red (Zoom) for common system when necessary.

Subject to change without notice

Printed in Japan

Mar.'97