

TAV2712DC

Aspherical-Glass, High-Speed Aperture, Day&Night, Wide-Range "f=2.7-12mm" Image Size: $\frac{1}{3}$ $\frac{1}{4}$

Focal Length : 2.7- 12 mm

Maximum Relative Aperture : 1:1.2
Iris : F1.2 - Approx.360
(With ND Spot Filter)

Angular Field of View : 97.4X72.4 deg.at 2.8mm
23.8X17.8 deg.at 12mm

Image Format : 4.8X3.6mm(D6mm)

Minimum Object Distance : 0.3m(From Front Vertex)

Object Dimensions at M.O.D. : 89.8X67.4cm at 2.8mm
13.5X10.1cm at 12mm

Optical Back Focal Distance : 7.13mm(In Airs)

Flange Back: 12.5mm

Operation Voltage: Close to Open : Less than 3V
Open to Close : More than 0.5V

Operation : Focus : Manual
Zoom : Manual
Iris : IG(Auto Close System)

Operation Temperature : -10 to +50

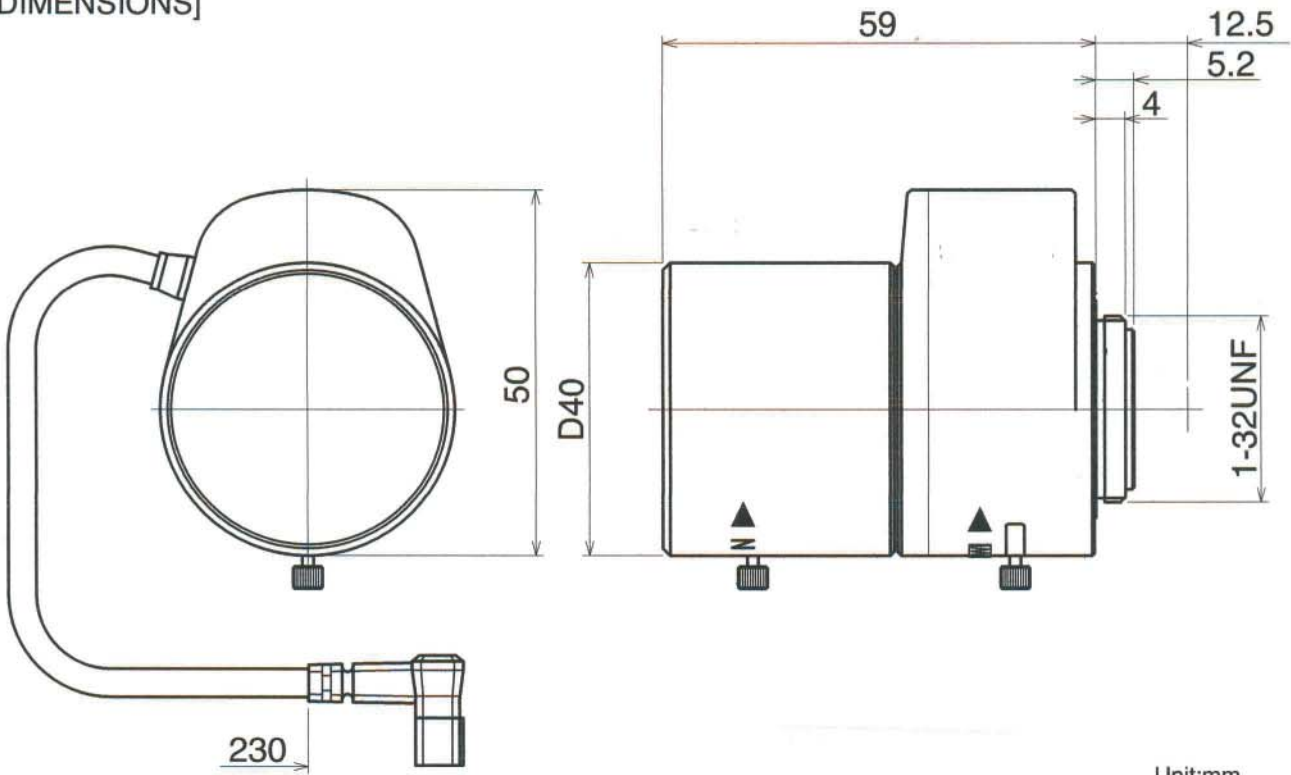
Mount : CS-Mount(Adjustable Lens Position)

Size, Weight : D40X50X59mm, Approx. 65g

[COMPOSITION]

Lens1
Lens Cap1
Dust Cap1

[DIMENSIONS]



Unit:mm

[CIRCUIT DIAGRAM]

