

TAV2812DCIR-MP

[SPECIFICATIONS] 3 Mega Pixel + Aspherical + Day&Night

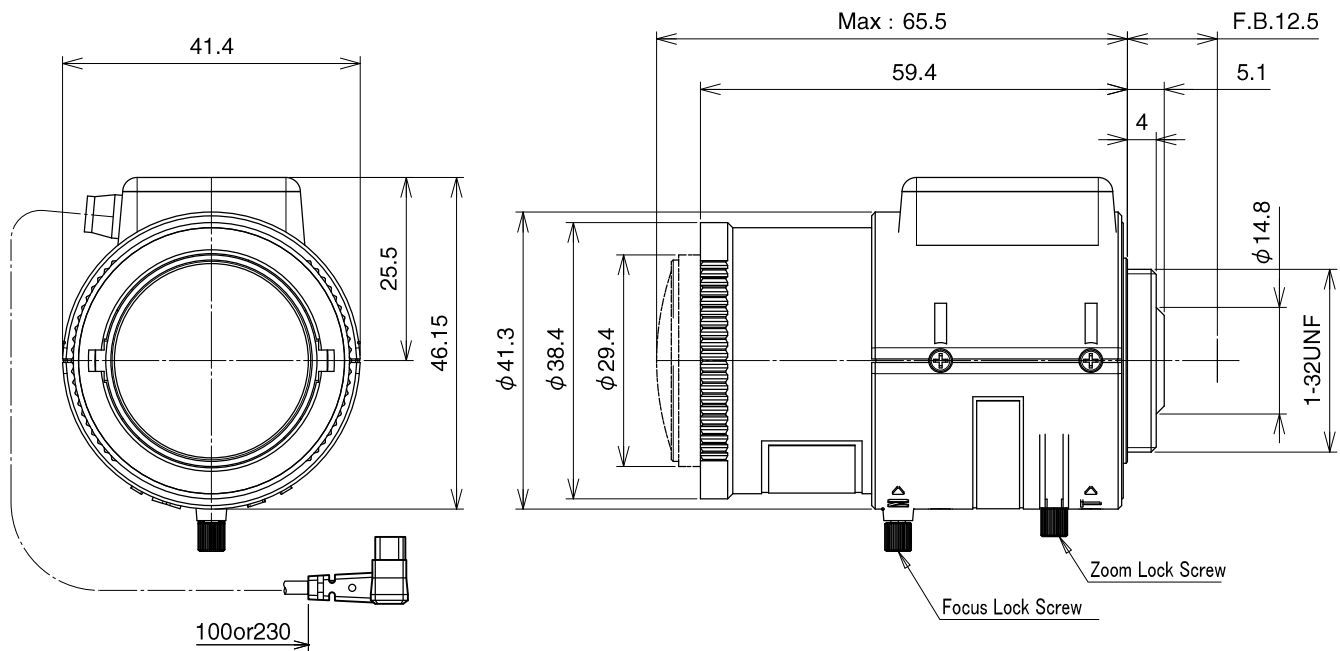
Image Size: $\frac{1}{3}$ $\frac{1}{4}$

Focal Length:	2.8~12mm	Flange Back:	12.5mm
Maximum Relative Aperture :	1:1.4	Operation:	Focus: Manual Zoom: Manual Iris: IG(Auto Close System)
Iris :	F1.4~360 (With ND Spot Filter)	Operation Voltage	Close to Open : Less than 3V Open to Close : More than 0.5V
Zoom Ratio:	4.3 x	Operation Temperature:	-10 to +50C
Angular Field of View:	97.9 x 72.5 deg.at 2.8mm 25.0 x 18.8 deg.at 12mm	Mount:	CS-Mount(Adjustable Lens Position)
Image Format:	4.8 x 3.6mm(ϕ 6mm)	Size, Weight:	ϕ 41.3 x 46.2 x 59.4mm, Approx. 70g
Minimum Object Distance:	0.3m(From Front Vertex)		
Optical Back Focal Distance:	7.84mm(In Air)		

[COMPOSITION]

Lens1
Lens Cap1
Dust Cap1

[DIMENSIONS]



Unit:mm

[CIRCUIT DIAGRAM]

