

# TG2314AFCS-3

**2.3mm F1.4**  
**for 1/3 type Cameras, Fixed-focal Auto Iris VIDEO Drive**  
**CS-Mount**

with Focus and Amplifier

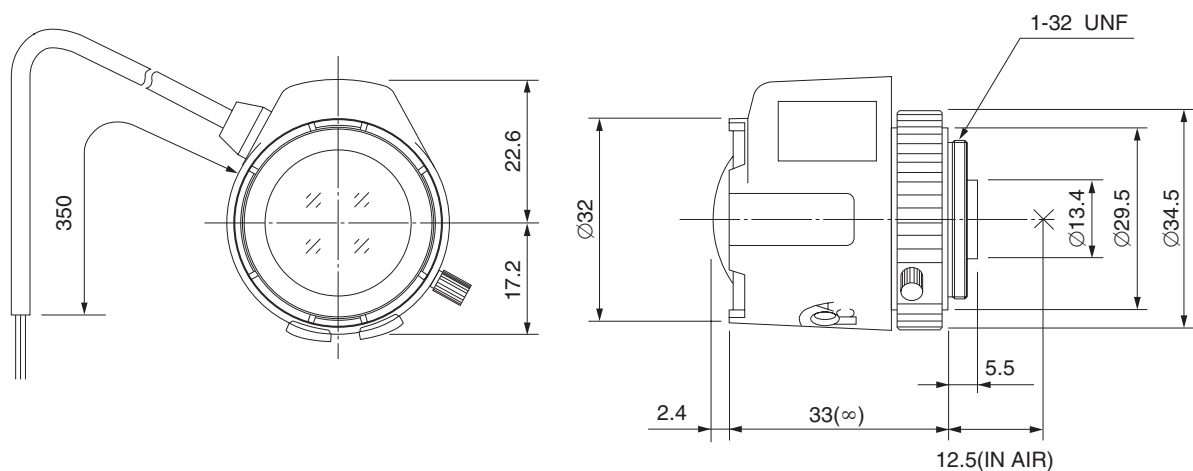
**1/3**  
type

**CS**

Model No.	TG2314AFCS-3		Effective	Front	Ø22.8mm
Focal Length	2.3mm		Lens Aperture	Rear	Ø7.0mm
Max. Aperture Ratio	1:1.4		Back Focal Length	7.1mm	
Max. Image Format	4.8mm x 3.6mm(Ø6mm)		Flange Back Length	12.5mm	
Operation Range	Iris	F1.4 - F360C	Mount	CS-Mount	
	Focus	0.2m - Inf.	Filter Size	—	
Control	Iris	Video Auto Iris	Dimensions	Ø32mm x 39.8mm x 35.4mm	
	Focus	Manual	Weight	48g	
Object Dimension at M.O.D.	60.8cm x 37.5cm				
Angle of View	D	1/3 type	137.9°	1/4 type	106.7°
	H		113.3°		86.3°
	V		86.3°		65.3°
Supply Voltage	DC8V - DC16V				
Current	Less than 35mA				
Response Time	Approx. 2 sec.				
Light Weighting Method	Adjustable between Average - Peak (to be Set at Average at Factory)				
Input Signal	Video Signal (V. or V.S.)				
Iris Accuracy	±15% at Video Signal Level				
Sensitivity Adjustment	0.5V(p-p) - 1.0V(p-p) (Video Signal)				
Input Impedance	High Impedance				
Operating Temperature	-20°C - +50°C				

M.O.D : Minimum Object Distance

## Dimensions



## Wiring Diagram

