

TG2616AFCS-4

2.6mm F1.6
for 1/3" Format Cameras, Fixed-focal Auto Iris VIDEO Drive
CS-Mount

with Focus and Amplifier

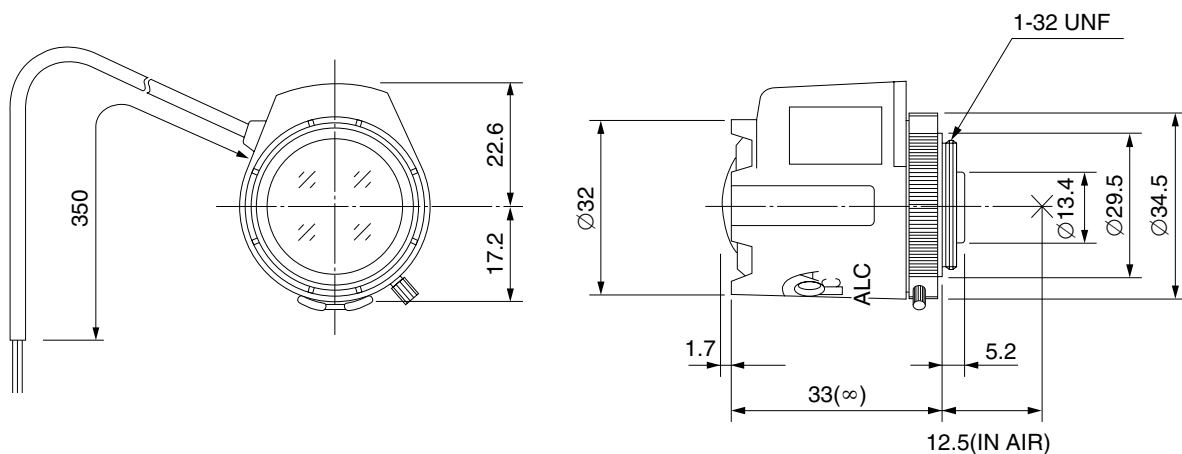
1/3"

Model No.	TG2616AFCS-4		Effective	Front	Ø16.4mm
Focal Length	2.6mm		Lens Aperture	Rear	Ø8mm
Max. Aperture Ratio	1:1.6		Back Focal Length	7.5mm	
Max. Image Format	4.8mm x 3.6mm(Ø6mm)		Flange Back Length	12.5mm	
Operation Range	Iris	F1.6 - F360C	Mount	CS-Mount	
	Focus	0.3m - Inf.	Filter Size	—	
Control	Iris	Auto Iris	Dimensions	Ø32mm x 39.8mm x 34.7mm	
	Focus	Manual	Weight	50g	
Object Dimension at M.O.D.	71cm x 46.4cm				
Angle of View	D	1/3"	123.0°	1/4"	93.8°
	H		99.6°		75.4°
	V		75.4°		56.9°
Supply Voltage	DC8V - DC16V				
Current	Less than 35mA				
Response Time	Approx. 2 sec.				
Light Weighting Method	Adjustable between Average - Peak (to be Set at Average at Factory)				
Input Signal	Video Signal (V. or V.S.)				
Iris Accuracy	±15% at Video Signal Level				
Sensitivity Adjustment	0.5V(p-p) - 1.0V(p-p) (Video Signal)				
Input Impedance	High Impedance				
Operating Temperature	-20°C - +50°C				

CS

M.O.D : Minimum Object Distance

Dimensions



Wiring Diagram

