

DH-TP2600

HDCVI Distributor



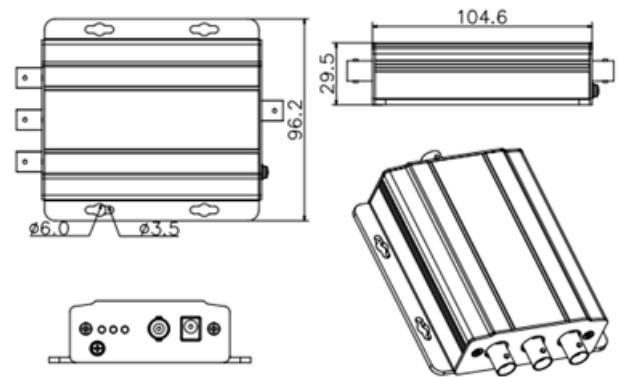
Features

- Support 1/3 channel In/Out
- Lossless non-compression transmission
- Support video format as 25/30/50/60fps@720P & 25/30fps@1080P
- UPnP, easy installation
- LED indicators
- Wide-range temperature application: -40°C ~75°C

Technical Specification

| | |
|--------------------------|----------------------------------------------------------------------|
| Model | DH-TP2600 |
| Physical Port | |
| BNC Port | 4*BNC ports (1/3 channel In/Out) |
| Other | |
| Transmitter Input Level | >500mVp-p |
| Input/Output Impedance | 75Ω |
| Input Auto Cable Balance | 1080p: 75-5 coaxial support 300m 720p : 75-5 coaxial support 500m |
| Indicator | Video indicator, power indicator, data indicator |
| Power | DC12V 1A |
| Power Consumption | ≤5W |
| Temperature | -40°C ~75°C |
| Humidity | 10%~90% RH |
| Unit Weight | 200g |
| Dimension | 104.6mm×96.2mm×29.5mm |
| Installation | Wall mount |

Dimensions (mm)



Application

