

TV555DC-IR

Image Size: $\frac{1}{3}$ $\frac{1}{4}$

[SPECIFICATIONS]

Focal Length : 5 - 55mm

Maximum Relative Aperture : 1:1.4

Iris : F1.4 - Approx.360
(With ND Spot Filter)

Angular Field of View : 53.1X40.0 deg. at 5mm
4.8X 3.6 deg. at 55mm

Image Format : 4.8X3.6mm (D6mm)

Minimum Object Distance : 0.3m at 5mm
0.8m at 55mm(From Front Vertex)

Optical Back Focal Distance : More than 10.97mm (In Air)

Flange Back : 12.5mm

Operation Voltage : Close to Open : Less than 4.0V
Open to Close : More than 0.5V

Operation : Focus : Manual
Zoom : Manual
Iris : IG(Auto Close System)

Operation Temperature : -10 to +50 C °

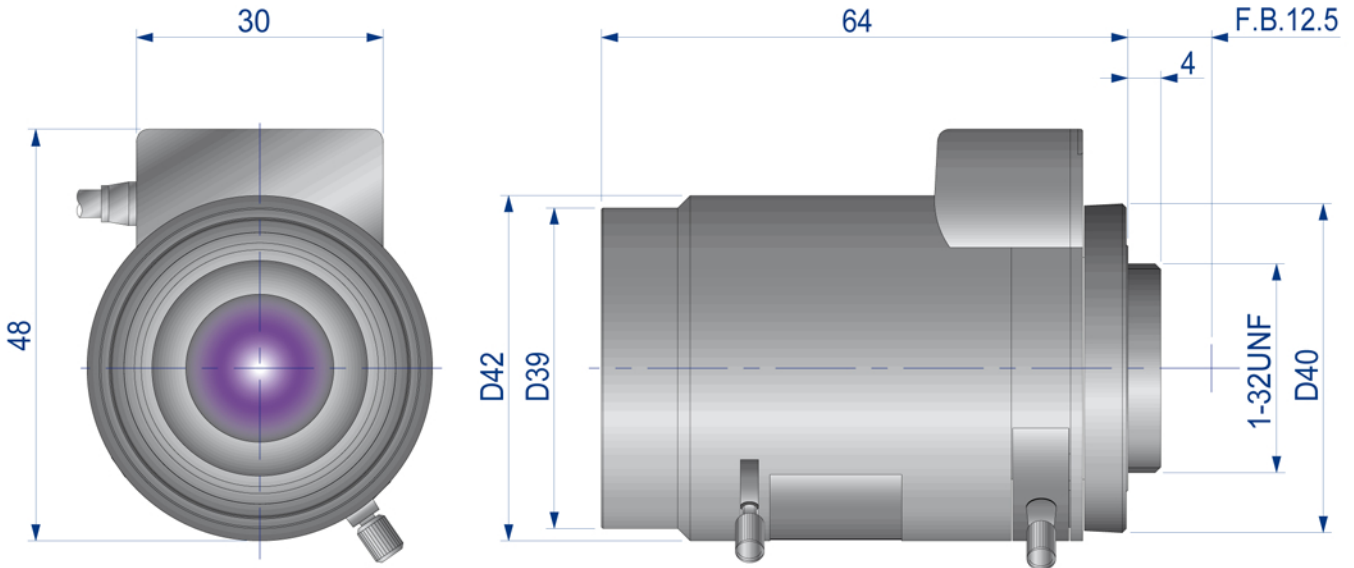
Mount : CS-Mount (Adjustable Lens Position)

Size, Weight : D42X50X64mm

[COMPOSITION]

Lens1
Lens Cap1
Dust Cap1

[DIMENSIONS]



Unit:mm

[CIRCUIT DIAGRAM]

