

# TV555DC

Image Size:  $\frac{1}{3}$   $\frac{1}{4}$

## [SPECIFICATIONS]

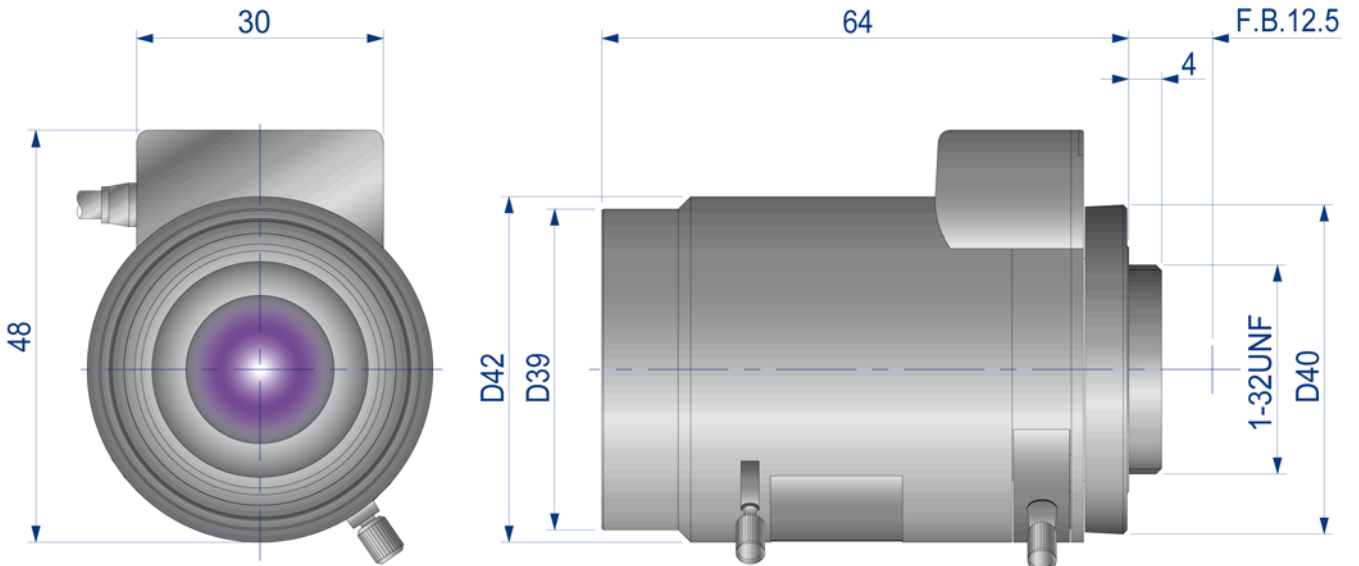
Focal Length : 5 - 55mm  
 Maximum Relative Aperture : 1:1.4  
 Iris : F1.4 - Approx.360  
 (With ND Spot Filter)  
 Angular Field of View : 53.1X40.0 deg. at 5mm  
 4.8X 3.6 deg. at 55mm  
 Image Format : 4.8X3.6mm (D6mm)  
 Minimum Object Distance : 0.3m at 5mm  
 0.8m at 55mm(From Front Vertex)

Optical Back Focal Distance : More than 10.97mm (In Air)  
 Flange Back : 12.5mm  
 Operation Voltage : Close to Open : Less than 4.0V  
 Open to Close : More than 0.5V  
 Operation : Focus : Manual  
 Zoom : Manual  
 Iris : IG(Auto Close System)  
 Operation Temperature : -10 to +50 C °  
 Mount : CS-Mount (Adjustable Lens Position)  
 Size, Weight : D42X50X64mm

## [COMPOSITION]

Lens .....1  
 Lens Cap .....1  
 Dust Cap .....1

## [DIMENSIONS]



Unit:mm

## [CIRCUIT DIAGRAM]

