

HOUSING BRACKETS

REVISION 0945



MAIN FEATURES

For indoor and outdoor installations

Made in aluminium, painted with epoxy powder

DESCRIPTION

WBLA

Wall bracket with swivel in non-corrosive aluminium alloy (anticorodal), suitable for HGV housing.

WBJA

Wall bracket with sturdy joint. It is suitable for medium and large extruded aluminium housings.

WBMA

Medium-duty die-cast aluminium wall bracket with integrated joint. It is particularly suitable for medium-small size housings.

WBOVA2

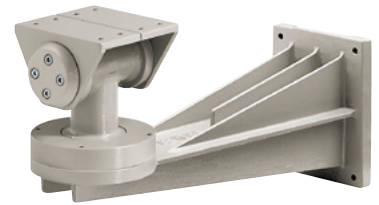
Bracket with joint. It offers vandal proof protection, due to an internal cable channel. For IP55 protection, make a hole in the supplied sheath of 2mm less of the cable diameter and combine with the existing hole of the bracket. Optional sealing rings, OWBIP2 or OWBIP3, ensure IP66 protection.

WBOV3A2

Die-cast aluminium reinforcing support plate in weather-proof box, supplied with WBOVA2 bracket. When combined with a cable managed bracket, it allows wiring internally throughout the unit. The optional sealing rings OWBIP2 or OWBIP3 ensure a housing of IP66 protection.

WCM3A

Ceiling mount. It allows an easy position adjustment of the housing.



WBLA



WBJA



WBMA



WBOVA2, WBOV3A2

BRACKETS AND HOUSINGS

Housing	Wall					Ceiling			Column	Wall Ceiling
	WBLA	WBJA	WBMA	WBOVA2	WBOV3A2	WCM3A	WCM4A2	WCM5A	WFWCA	WBCAA
HOV		•		•	•	•	•	•	•	
VERSO COMPACT		•	•	•	•	•	•	•	•	
VERSO		•		•	•	•	•	•	•	
HGV	•									
HEG		•						•	•	
HEB		•	•	•	•	•	•	•	•	
HEP		•				•		•	•	
HEA			•			•		•	•	
HEK			•	•	•	•	•	•	•	
HEM			•			•		•	•	
HET			•			•		•	•	• (Only HET16)

HOUSING BRACKETS

WCM4A2

Ceiling mount with an internal cable channel. It combines an easy position adjustment with vandal proof protection. It is suitable for housings with cable management. The sealing rings OWBIP2 or OWBIP3 ensure a housing of IP66 protection.

WCM5A

Same features as WCM4A2 mount, but with exposed cable. Suitable for housings equipped with cable glands.

WCM3A

Linear extension for WCM4A2 and WCM5A mounts.

FWCA

Column bracket with joint, suitable for all the housings equipped with cable glands.

OBJA

Ball joint of WBJA, WCM5A and WCM3A.



WCM3A



WCM4A2



WCM5A



WCM3A



FWCA

HOUSING BRACKETS

AVAILABLE MODELS	
WBLA	Wall bracket with ball joint
WBJA	Wall bracket with ball joint
OBJA	Only ball joint
WBMA	Wall bracket with ball joint
WBOVA2	Wall bracket with internal cable channel
WBOV3A2	WBOVA2 wall bracket, support plate and integrated junction box with internal cable channel
WCM3A	Ceiling bracket with ball joint
WCM4A2	Ceiling bracket with internal cable channel
WCM5A	Ceiling mount with ball joint
WCM5A	Extension for WCM4A2-WCM5A brackets
WFWCA	Parapet mount with ball joint

TECHNICAL DATA

GENERAL

Constructed from die-cast aluminium
 Epoxypolyester powder painting, RAL9002 colour
 Supplied with housing screws
 Housing position adjustment is made with only one bolt

MECHANICAL

WBLA

Wall mounting
 In anticorrosive aluminium alloy
 Load rating: 70kg (154lb)
 Length: 457.5mm (18,7in)

WBJA

Wall mounting or on modular adapters
 Load rating: 25kg (55lb)
 Length: 285mm (11.2in)

WBMA

Wall mounting or on modular adapters
 Load rating: 25kg (55lb)
 Length: 227mm (8.9in)

WBOVA2 / WBOV3A2

Vandal proof protection, due to internal cable management
 Wall mounting or on modular adapters
 Load rating: 25kg (55lb)
 Length: 204mm (8in)

WCM3A

Ceiling mounting
 Load rating: 15kg (33lb)
 Length: 300mm (11.8in)

WCM4A2

Internal cable management
 Ceiling mounting
 Load rating: 15kg (33lb)
 Length: 412mm (16.2in)

WCM5A

Ceiling mounting
 Load rating: 15kg (33lb)
 Length: 412mm (16.2in)

WCM5A

Extension 500mm (19.7in) for WCM4A2 and WCM5A

WFWCA

Column and parapet mounting
 Load rating: 15kg (33lb)
 Length: 185mm (7.3in)

OBJA

Ball joint of WBJA, WCM5A and WCM3A

ENVIRONMENT

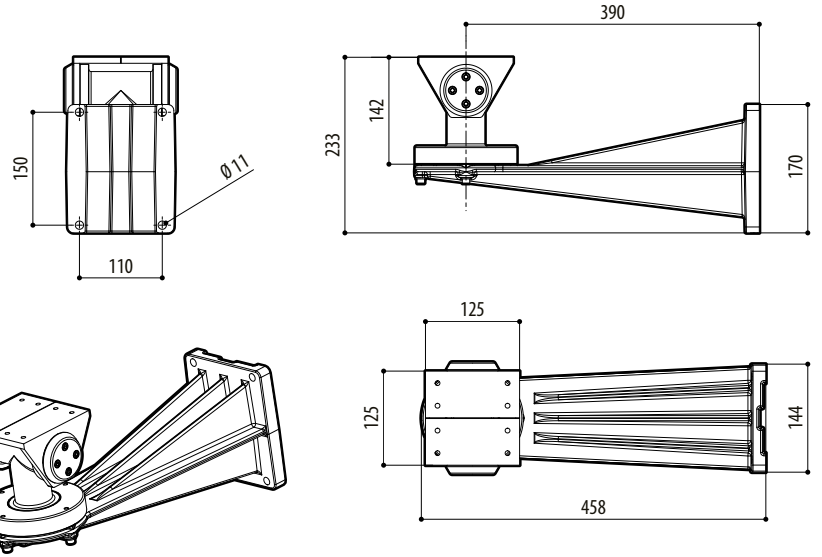
Indoor / Outdoor

ACCESSORIES

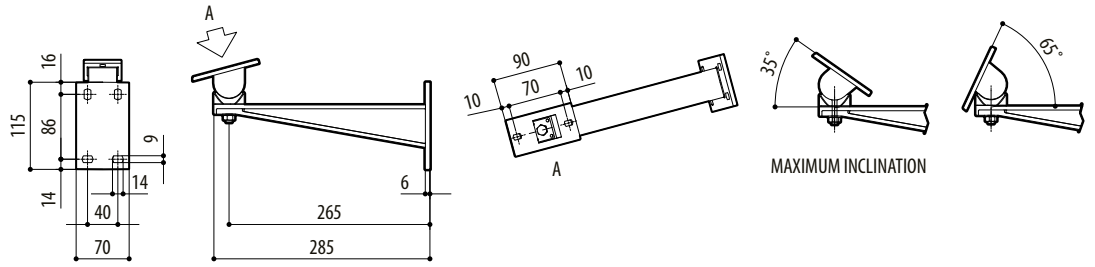
OWBIP2	Kit special gaskets (3xM16) to allow protection IP66/ IP67 for WBOVA2 and WCM4A2 brackets
OWBIP3	Sealing rings kit (1xM12 – 1xM16 – 1xM20) to allow IP66/ IP67 protection for WBOVA2 and WCM4A2 brackets

PACKAGE							
Code	Unit weight		Package weight		Package dimensions (WxHxL)		Master carton unit
	kg	lb	kg	lb	cm	in	
WBLA	6.6	14.5	7.0	15.4	27.0x18.0x49.0	10.6x7.0x19.3	-
WBJA	0.6	1.3	0.7	1.5	7.5x12.0x31.0	2.9x4.7x12.2	20
WBMA	0.5	1.1	0.6	1.3	7.5x12.0x23.0	2.9x4.7x9.0	25
WBOVA2	0.6	1.3	0.7	1.5	8.5x13.0x22.0	3.3x5.1x8.6	25
WBOV3A	2.4	5.3	2.5	5.5	11.0x19.0x53.0	4.3x7.5x20.8	-
WCM3A	1.8	3.9	2.1	4.6	13.0x32.5x27.0	5.1x12.8x10.6	12
WCM4A2	1.3	2.8	1.7	3.7	10.5x36.5x36.5	4.1x14.3x14.3	12
WCM5A	1.4	3.1	1.7	3.7	10.5x36.5x36.5	4.1x14.3x14.3	12
WCM5A	0.5	1.1	0.6	1.3	6.0x6.0x58.5	2.3x2.3x23.0	-
WFWCA	0.5	1.1	1.0	2.2	14.5x15.0x26.5	5.7x5.9x14.4	15
OBJA	0.2	0.4	0.2	0.4	8.5x5.5x11.5	3.3x2.2x4.5	-

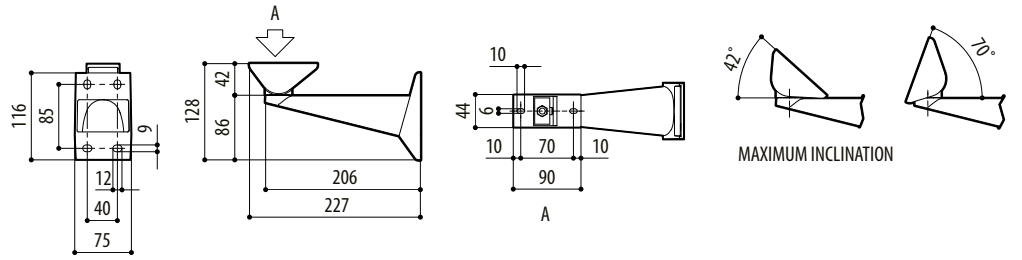
HOUSING BRACKETS



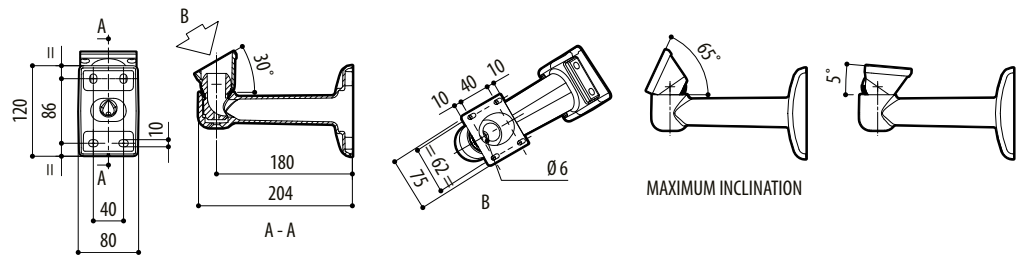
WBLA



WBJA



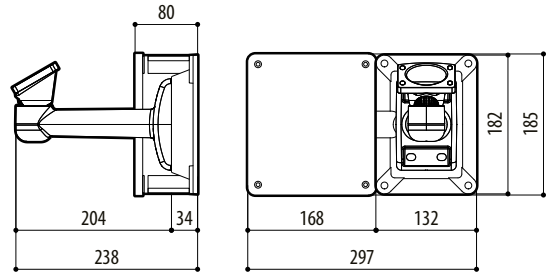
WBMA



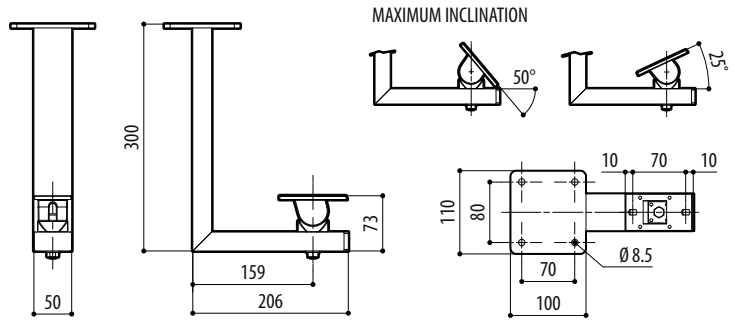
WBOVA2

mm 1:10

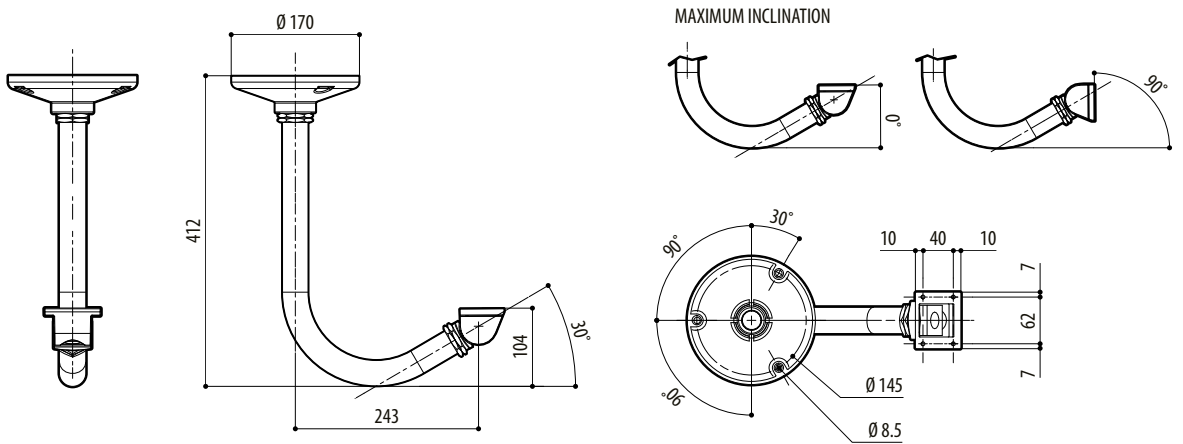
WBOV3A2



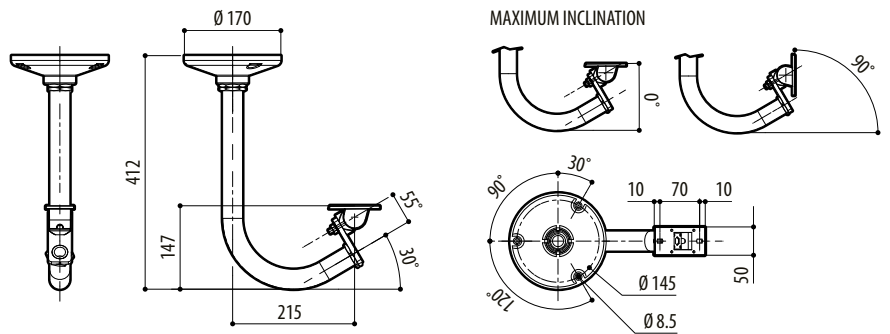
WCM3A



WCM4A2

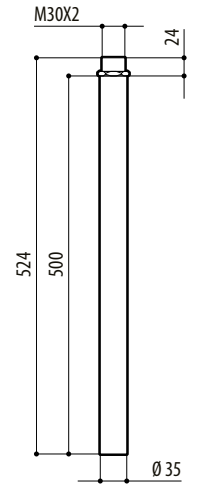


WCM5A

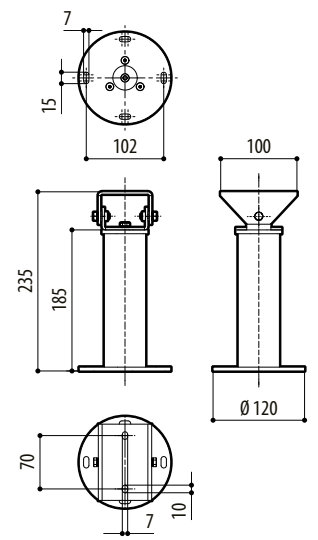


mm 1:10

HOUSING BRACKETS



WCPMA



WFWCA

mm 1:10